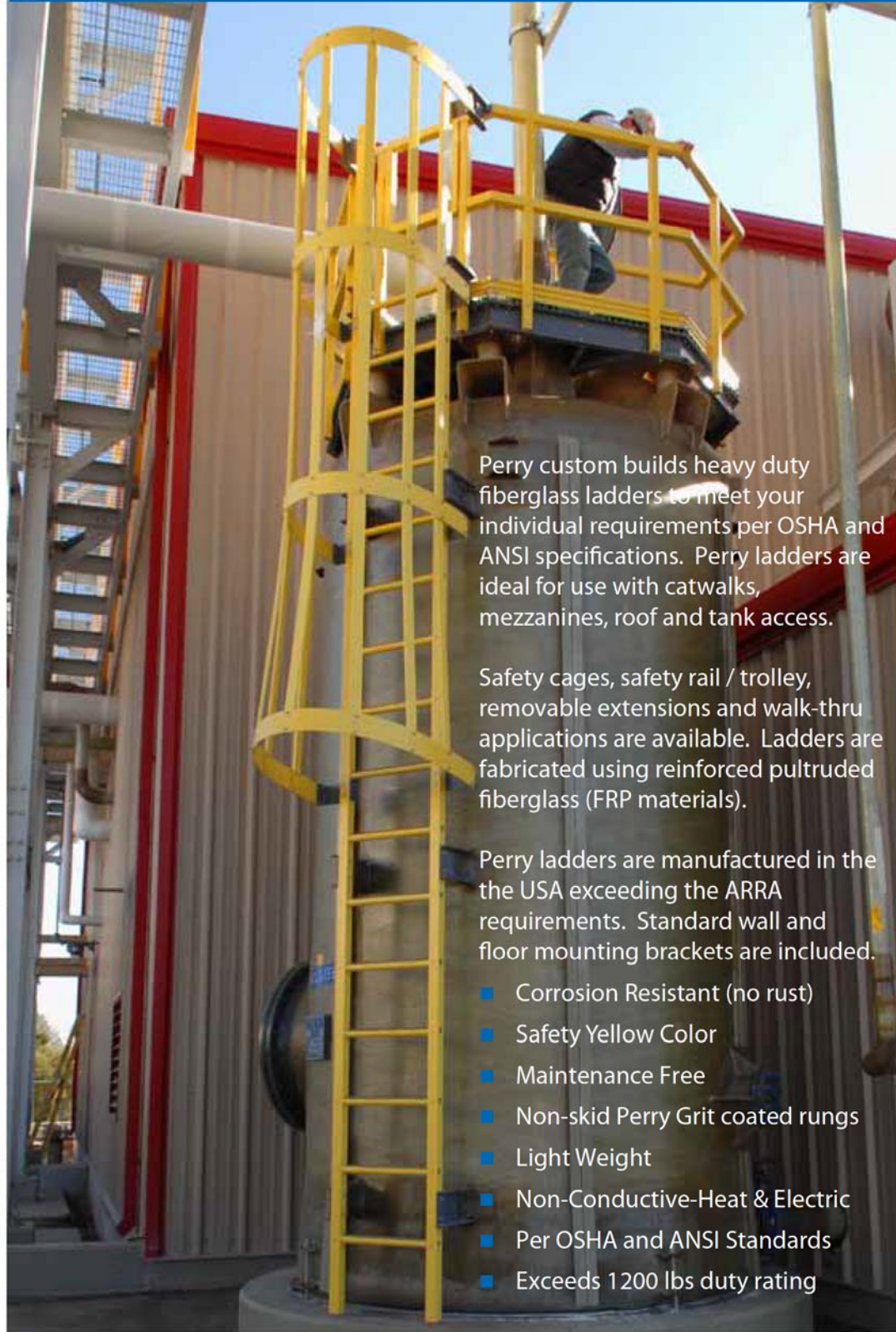


Fiberglass Ladders



Non-skid PerryGrit coated rungs



Perry custom builds heavy duty fiberglass ladders to meet your individual requirements per OSHA and ANSI specifications. Perry ladders are ideal for use with catwalks, mezzanines, roof and tank access.

Safety cages, safety rail / trolley, removable extensions and walk-thru applications are available. Ladders are fabricated using reinforced pultruded fiberglass (FRP materials).

Perry ladders are manufactured in the the USA exceeding the ARRA requirements. Standard wall and floor mounting brackets are included.

- Corrosion Resistant (no rust)
- Safety Yellow Color
- Maintenance Free
- Non-skid Perry Grit coated rungs
- Light Weight
- Non-Conductive-Heat & Electric
- Per OSHA and ANSI Standards
- Exceeds 1200 lbs duty rating



Perry Fiberglass Products, Inc.

5415 Village Drive Rockledge, Florida 32955 / PHONE: 321-609-9036 / www.Perryfiberglass.com

TYPICAL FIBERGLASS LADDER DETAILS

1/8x4 FLAT STRIP

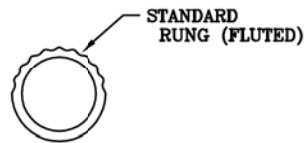
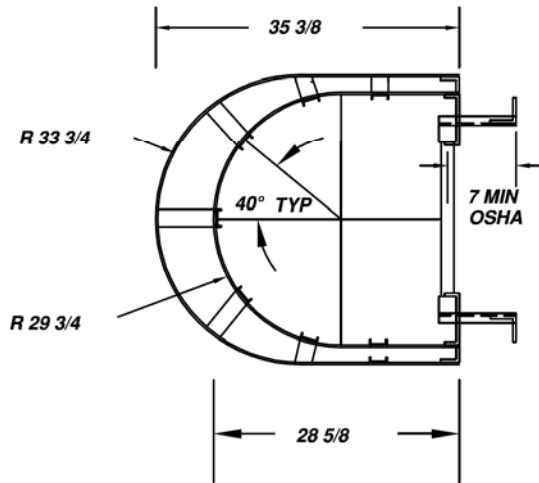
1/8x3 FLAT STRIP
(4' MAX. SPACING)

2X9/16X1/8 CHANNEL (TYP)

1/8 X 4 FLAT STRIP

84 - 96 (OSHA)

72 (MAX)



(H.D.) 2X1/4 SQUARE TUBE
(STD.) 1-3/4X1/4 SQUARE TUBE

(H.D.) GRIT SURFACE
(STD.) FLUTED SURFACE

3/16 DIA 316 STAINLESS BLIND RIVET
(2) PER RUNG (STD.)
(4) PER RUNG (H.D.)

(H.D.) 1-1/2X1/8 ROUND TUBE
(STD.) 1-1/4X1/8 ROUND TUBE

FOOT ANGLE
x 2" BOLTED TO
SQUARE TUBE

