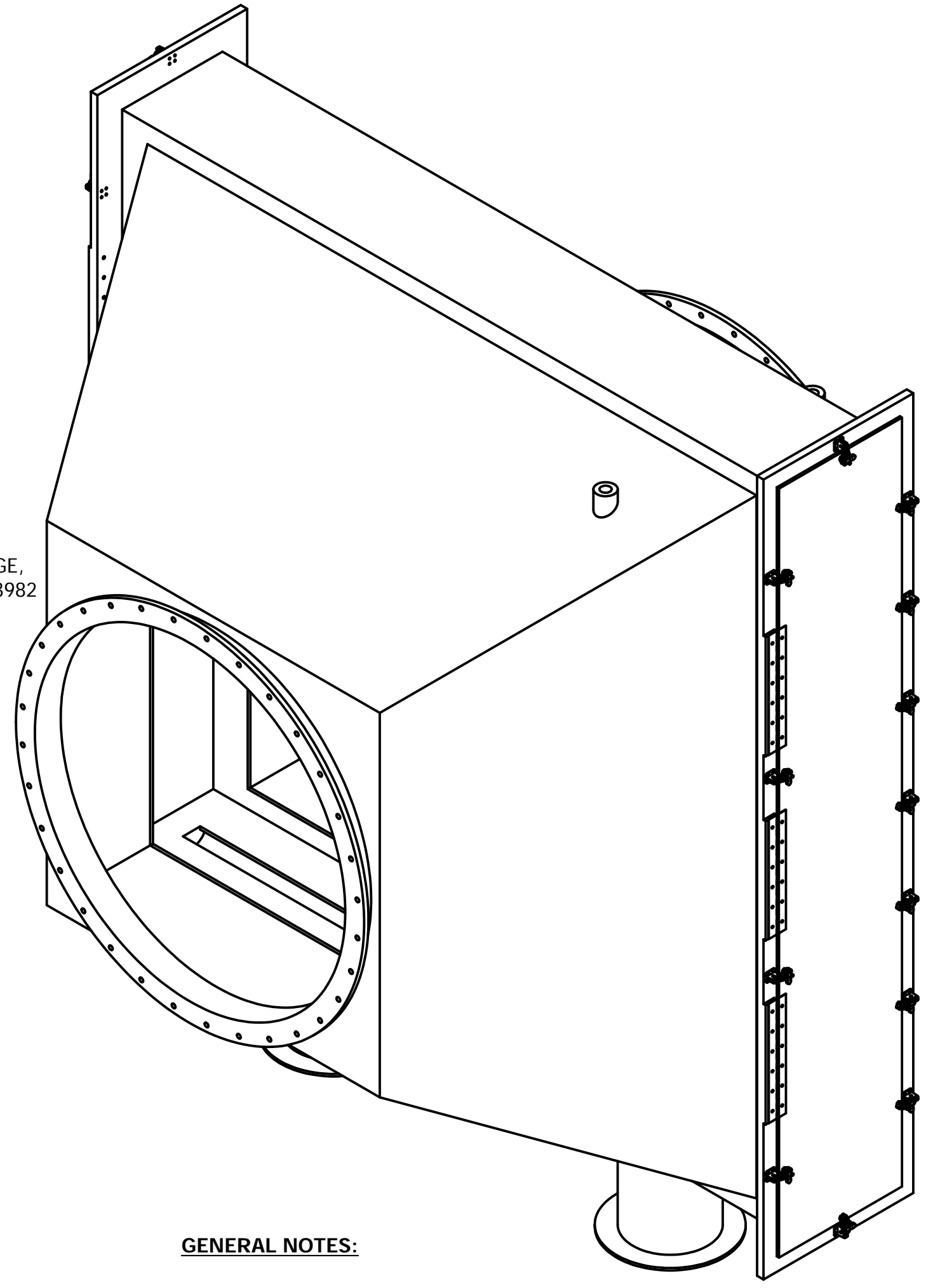


PLAN VIEW

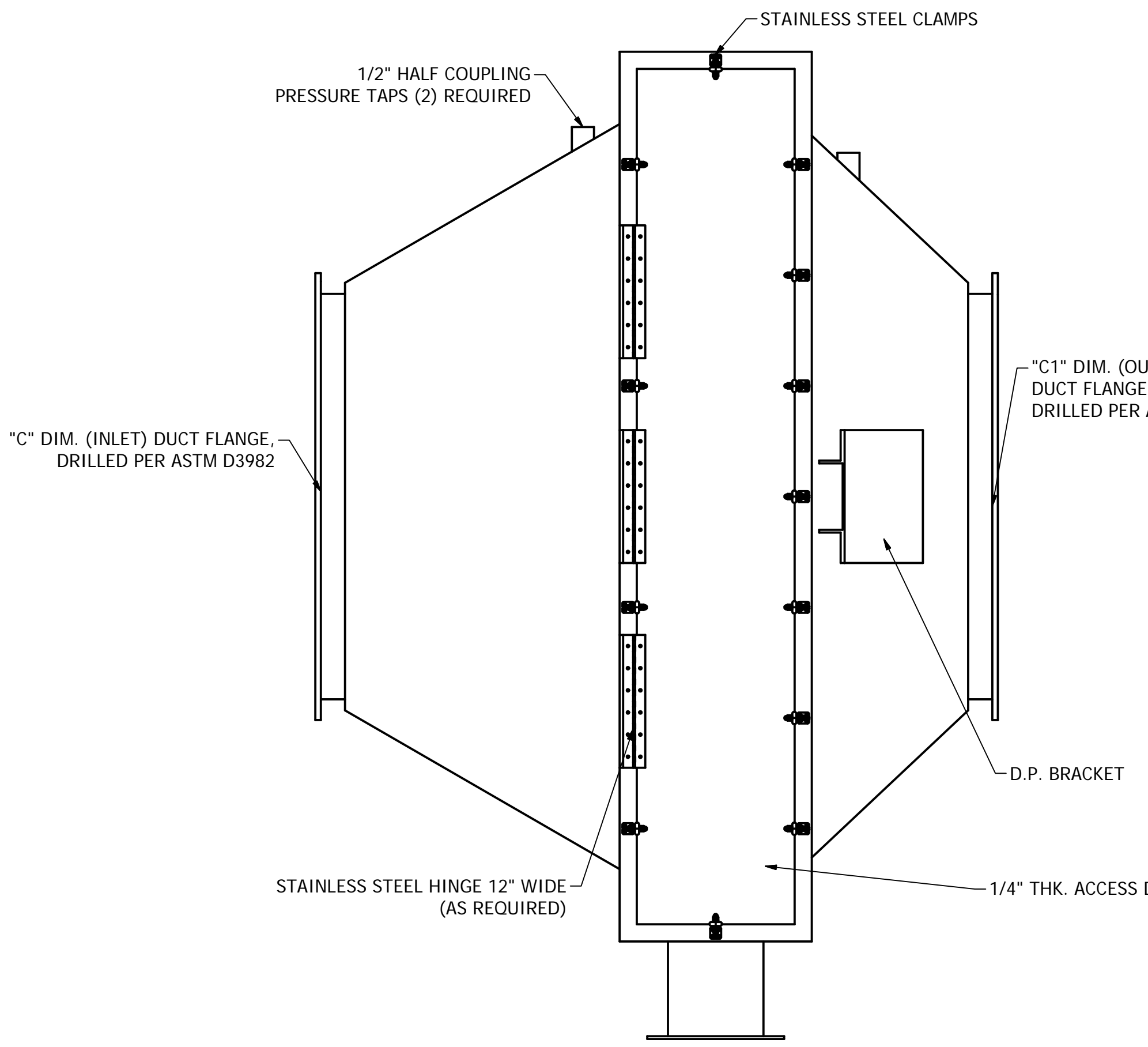


AIR FLOW	"A"	"B"	"C"	"C1"	"D"	"E"	# OF SEGMENTS	WEIGHT
3500	35"	35"	20"	20"	40-1/2"	20"	3	260 LBS.
4000	38"	38"	20"	20"	40-1/2"	21"	3	300 LBS.
6000	46"	46"	24"	24"	46-1/2"	17"	5	350 LBS.
7500	52"	52"	24"	24"	48-1/2"	19"	5	420 LBS.
8000	53"	53"	24"	24"	50-1/2"	19"	5	455 LBS.
8500	55"	55"	24"	24"	52-1/2"	19"	5	485 LBS.
10000	60"	60"	24"	24"	60-1/2"	20"	5	575 LBS.
12000	65"	65"	30"	30"	60-1/2"	21"	5	630 LBS.
14000	71"	71"	30"	30"	64-1/2"	18"	7	700 LBS.
16000	75"	75"	30"	30"	70-1/2"	18"	7	795 LBS.
17000	78"	78"	30"	30"	72-1/2"	19"	7	835 LBS.
18000	80"	80"	36"	36"	76-1/2"	19"	7	900 LBS.
20000	84"	84"	36"	36"	76-1/2"	20"	7	985 LBS.
22000	88"	88"	36"	36"	76-1/2"	20"	7	985 LBS.
24000	92"	92"	36"	36"	82-1/2"	21"	7	1120 LBS.
26000	96"	96"	42"	42"	76-1/2"	18"	9	1125 LBS.
28000	100"	100"	42"	42"	82-1/2"	18"	9	1225 LBS.
30000	103"	103"	42"	42"	88-1/2"	19"	9	1315 LBS.

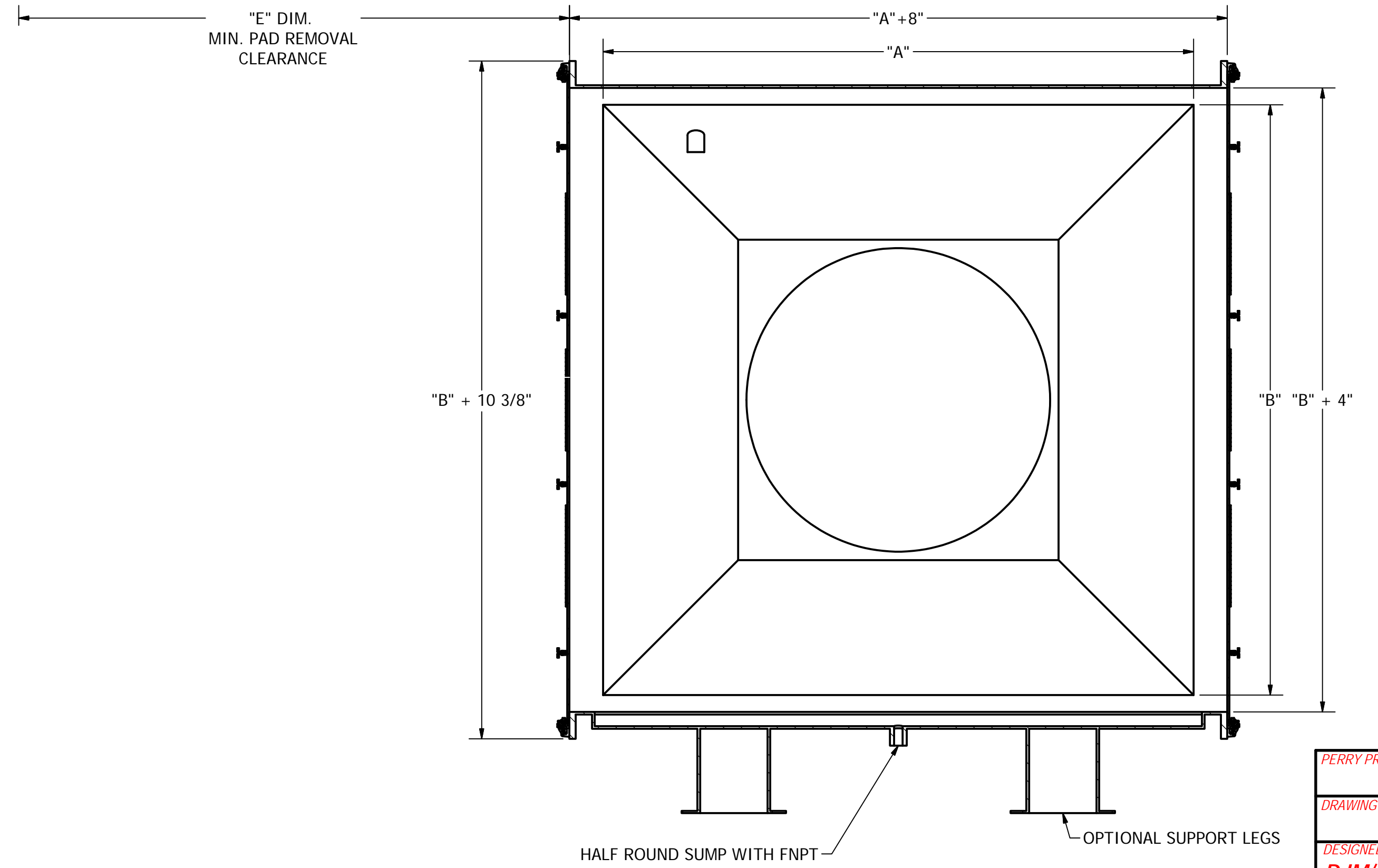
* FOR PAD THICKNESS AND TYPE CONSULT WITH PERRY FIBERGLASS *

GENERAL NOTES:

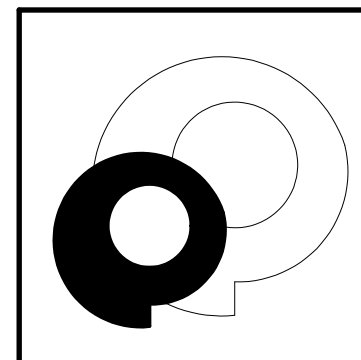
1. FIBERGLASS HOUSING TO BE FABRICATED UTILIZING INTERPLASTIC 8401 VINYL ESTER RESIN PER ASTM D3982.
2. HOUSING TO BE GELCOATED WHITE OR GRAY AFTER FABRICATION IS COMPLETE.
3. UNIT TO BE SHIPPED WITH MIST ELIMINATOR PAD INSTALLED.
4. UNIT TO BE SUPPLIED WITH QUICK RELEASE LATCHES AND GASKETS FOR ALL FLANGES. CUSTOM COLORS ARE AVAILABLE UPON REQUEST.
5. UNIT TO BE SUPPLIED WITH DWYER MAGNEHELIC DIFFERENTIAL PRESSURE GAUGE WITH TUBING AND FITTINGS AS REQUIRED TO ALLOW FIELD ASSEMBLY BY OTHERS.
6. SEE "E" DIMENSION FOR MINIMUM CLEARANCE REQUIRED TO REMOVE; CLEAN AND MAINTAIN FILTER PADS.
7. A SECOND ACCESS DOOR IS ADDED IF DIMENSION "A" IS LARGER THAN 28".
8. MIST ELIMINATOR DESIGNED TO KEEP DRY PRESSURE DROP <1.0" W.C.
9. INTERNAL PAD SUPPORTS WILL BE DETERMINED BY PERRY FIBERGLASS.
10. LINED UMHW HOUSING SLIDER AVAILABLE UPON REQUEST.
11. INLET AND OUTLET CONNECTIONS SHALL BE SIZED FOR A MAXIMUM AIR VELOCITY OF 2,500 F/M.



ELEVATION VIEW A-A



ELEVATION VIEW B-B



33660 PIN OAK PARKWAY
AVON LAKE, OHIO 44012

PHONE: 321-609-9036
FAX: 321-609-9003
www.PerryFiberglass.com

Perry Fiberglass Products, Inc.

321.609.9036
DUCTWORK, PIPING, STORAGE TANKS, SCRUBBERS, CARBON ADSORBERS, AIR STRIPPERS, FANS, DAMPERS, AND ADVANCED FABRICATIONS

THIS DOCUMENT IN DESIGN AND DETAIL IS THE PROPERTY OF PERRY FIBERGLASS PRODUCTS, INC.; ANY USE OR DISCLOSURE WITHOUT THE WRITTEN PERMISSION OF PERRY FIBERGLASS PRODUCTS, INC. IS STRICTLY FORBIDDEN.

**MIST AND GREASE ELIMINATOR
GENERAL ARRANGEMENT**

PERRY PROJECT #:	0000
DRAWING SCALE:	NTS
DESIGNED BY:	DJME/JT
DRAWN BY/DATE:	DLS
CHECKED BY:	J. JACOBS
SHEET SIZE:	D (22x34)
REVISION:	0
DRAWING #:	D1